

Aquablast® Line

Device for cleaning and decoating surfaces.

The Aquablast® Line is a device for cleaning and decoating vertical or vertically inclined surfaces. It is particularly suited to treating rusted areas and/or surfaces with similar damage.

The system can be mounted on various suitable carriers (e.g. hydraulic lifts, baskets, working platforms, etc.).



**High
safety**

**environmental friendly
working**

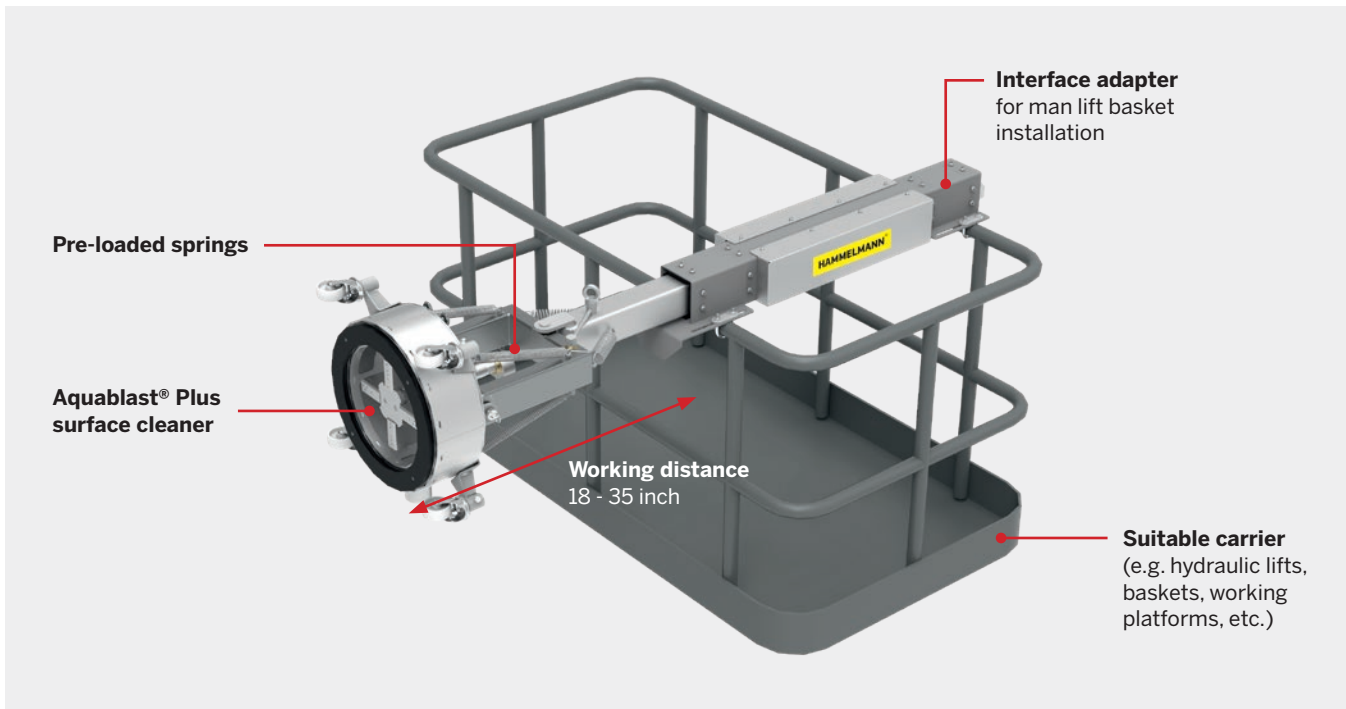
**Modular concept for a
high variety of operating
conditions**

Hammelmann Corporation
436 Southpointe Drive
Miamisburg, OH 45342

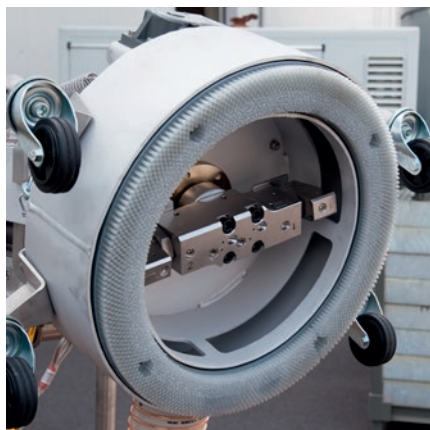
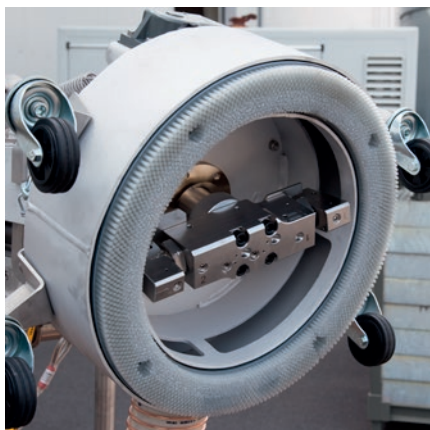
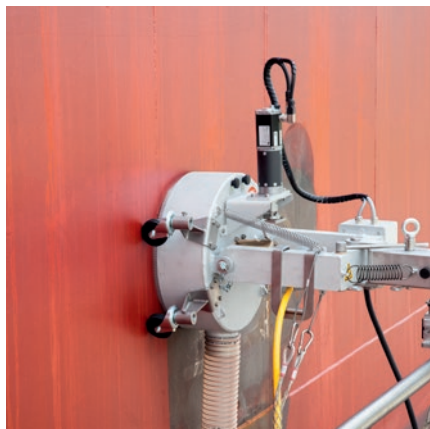
mail@hammelmann.com
Phone: 1-800-783-4935
www.hammelmann.us

HAMMELMANN®

Aquablast® Line



Modular high efficient rotary spray arm system with max. diameter of 9.8 inch. Pre-loaded springs ensure contact stability and a smooth start-up.



Oscillating movement for optimal treatment of localized damage. Totally covered jetting area for high safety and possibility of environmental friendly vacuuming of waste water.

Technical Data

Max. Operating pressure 43.5k psi	Max. Flow rate 10.5 gpm	Working width 9.8 inch	Weight 265 lbs	Working distance 18 - 35 mm
--------------------------------------	----------------------------	---------------------------	-------------------	--------------------------------